

DataMAX Software Group, Inc.
El Dorado Hills, CA 95762
USA

SAP

WAREHOUSE MANAGEMENT – BIN INQUIRY BY MATERIAL

This application is an inquiry based on a material that shows bin-level information.

RFgen Functional Documentation
2021

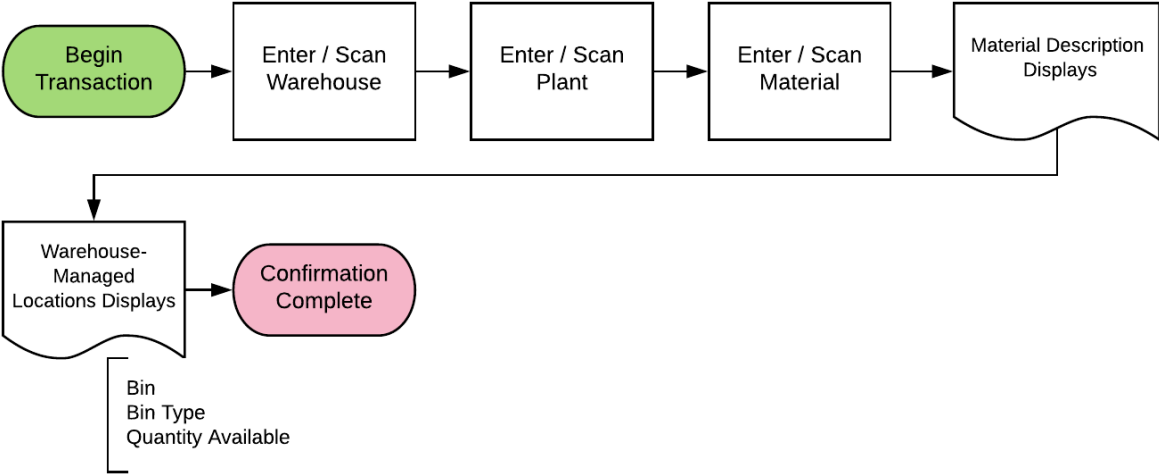
RFgen provides its customers SAP-validated, ready-to-use suites of Open Source applications and a development environment that can be used to create new apps or to modify existing apps.

This document describes the business workflow and technical information used in this application.

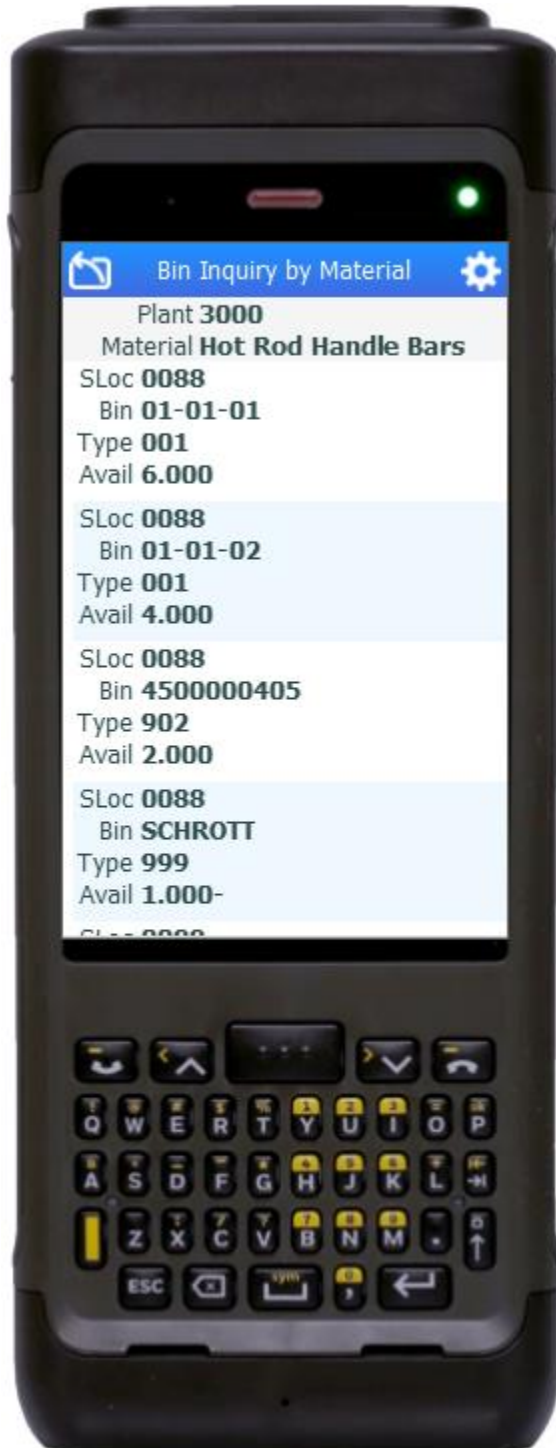
SAP[®] Certified
Integration with SAP Applications

RFgen.

SAP: Warehouse Management (WM) – Bin Inquiry by Material



FWHQB0200 WH – Bin Inquiry by Material



This application displays bin details based on a specific material.

Description of Workflow

First the user will scan, enter, or search for a warehouse value.

The user scans, enters, or searches for a plant value if one does not default from the user profile.

The user scans, enters, or searches for a material.

The material's description is displayed. A list of warehouse-managed locations with bin, bin type, and available quantity is displayed.

The arrow in the upper left corner undoes the current entry and moves the cursor back to the previous prompt until you reach the menu.

Technical Information

This lists the tables used for validations, searches and defaults by prompt.

Prompt	Table	Description
WH	T300T	Warehouse Master
Plant	T001W	Plant Master
Material	BAPI_MATERIAL_GET_DETAIL / BAPI_MATERIAL_GETLIST	Material Details
App Lookup	LQUA	Warehouse Bin details

