

DataMAX Software Group, Inc.  
El Dorado Hills, CA 95762  
USA

# SAP

## EXTENDED WAREHOUSE MANAGEMENT – PRODUCTION RECEIPT

This application helps receive produced materials from production order.

---

RFgen Functional Documentation

2021

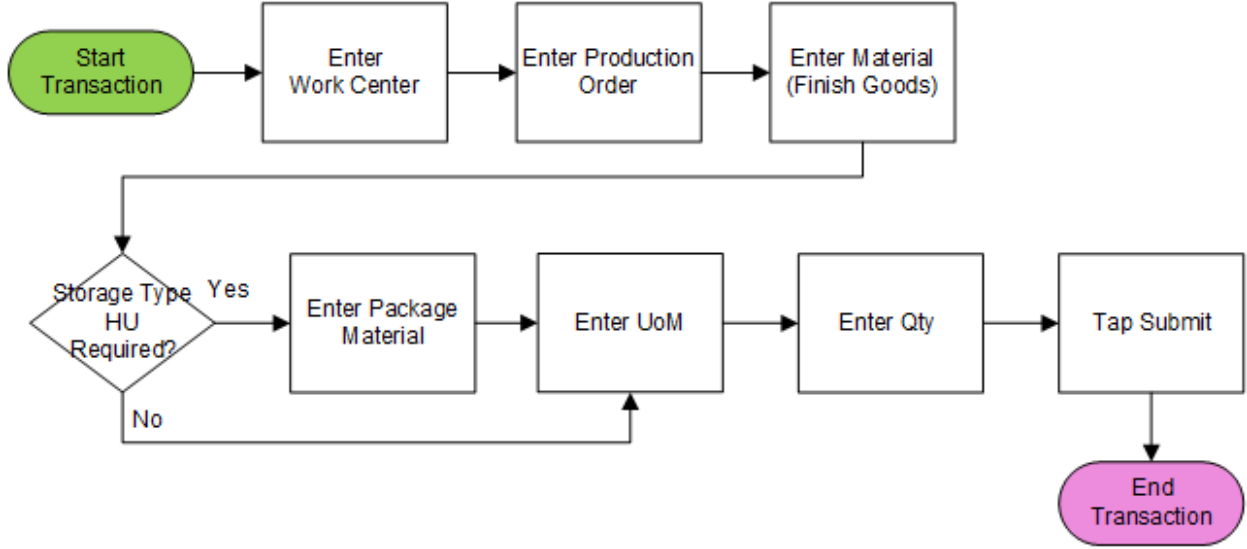
RFgen provides its customers SAP-validated, ready-to-use suites of Open Source applications and a development environment that can be used to create new apps or to modify existing apps.

This document describes the business workflow and technical information used in this application.

**SAP**<sup>®</sup> Certified  
Integration with SAP Applications

**RFgen.**

# SAP: Extended Warehouse Management (EWM) – Production Receipt



## FEWPR0200 – Production Receipt



This application is used to receive goods from production order.

### Description of Workflow

First, the user scans, enters, or searches for a work center where manufacturing is conducted. The default storage type and storage bin of the work center will be used for putting away the products.

The user scans, enters, or searches for a production order for goods receipt.

The user scans or enters the material to be received. The suggested material is also displayed for reference.

The Package Material field will be visible if work center's default storage type is HU-required. The user scans, enters, or searches for a package material. The package material will be used to create the handling unit.

The user enters or searches for a unit of measure and quantity to receive. The open quantity (remaining quantity) is displayed at the bottom for user's reference.

The user taps the **Submit** button. The **Submit** button will post the goods receipt to SAP.

The arrow in the upper left corner undoes the current entry and moves the cursor back to the previous prompt until you reach the menu.

## Technical Information

This lists the tables used for validations, searches and defaults by prompt.

<b>Prompt</b>	<b>Table</b>	<b>Description</b>
Work Center	/SCWM/TWORKSTT	Work Center Description
Production Order	ZRFGEN_MFG_RCV_READ_EGR	RFgen custom function
Material	ZRFGEN_MFG_RCV_READ_EGR	RFgen custom function
Packaging Material	/SAPAPO/MATPACK	Packing/Packaging Data
UoM	/SAPAPO/MARM	Units of Measure of product
Quantity	N/A	Quantity to receive

## Customization Considerations

If you are planning on creating a new version of this application or modifying it for a customer, consider asking these questions to help prepare your list of customization requirements.

1. What would you want to customize your Production Order to?
2. What would you want to customize your Material to?

