

DataMAX Software Group, Inc.
El Dorado Hills, CA 95762
USA

SAP

EXTENDED WAREHOUSE MANAGEMENT – PRODUCTION RECEIPT

This application helps receive produced materials from production order.

RFgen Functional Documentation

2021

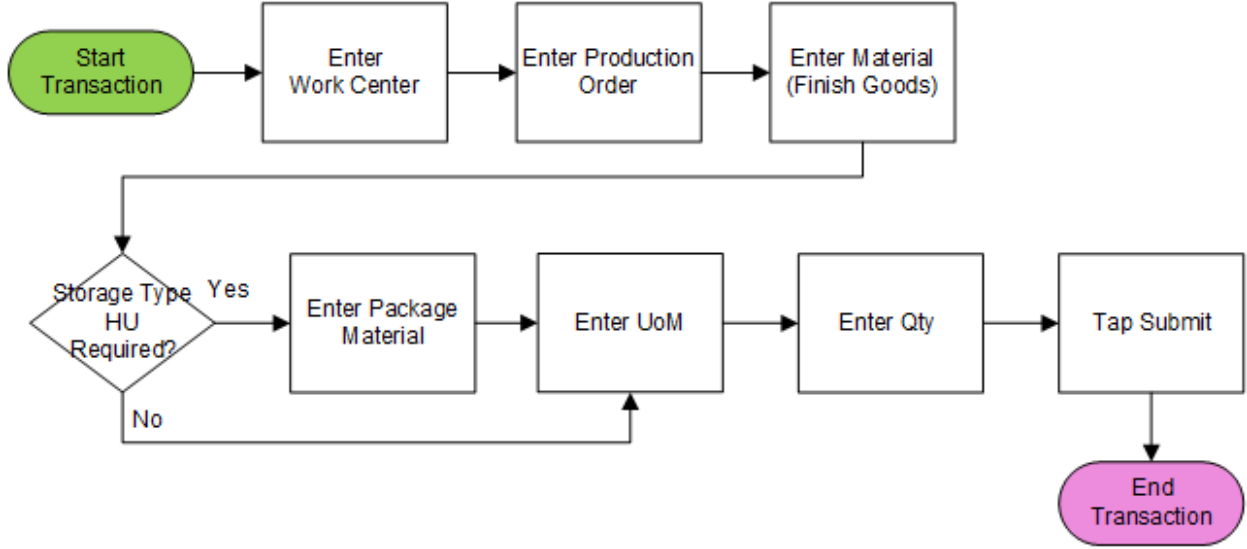
RFgen provides its customers SAP-validated, ready-to-use suites of Open Source applications and a development environment that can be used to create new apps or to modify existing apps.

This document describes the business workflow and technical information used in this application.

SAP[®] Certified
Integration with SAP Applications

RFgen.

SAP: Extended Warehouse Management (EWM) – Production Receipt



FEWPR0200 – Production Receipt



This application is used to receive goods from production order.

Description of Workflow

First, the user scans, enters, or searches for a work center where manufacturing is conducted. The default storage type and storage bin of the work center will be used for putting away the products.

The user scans, enters, or searches for a production order for goods receipt.

The user scans or enters the material to be receipt. The suggested material is also displayed for reference.

The Package Material field will be visible if work center's default storage type is HU-required. The user scans, enters, or searches for a package material. The package material will be used to create handling unit.

The user enters or searches for a unit of measure and quantity to receipt. The remaining quantity to receipt is displayed at the bottom for user's reference.

The user taps the **Submit** button. The **Submit** button will post the goods receipt to SAP. After the submission, the App reset and return to Work Center field.

The arrow in the upper left corner will take the user back to the menu.

Technical Information

This lists the tables used for validations, searches and defaults by prompt.

Prompt	Table	Description
Work Center	/SCWM/TWORKSTT	Work Center Description
Production Order	ZRFGEN_MFG_RCV_READ_EGR	RFgen custom function
Material	ZRFGEN_MFG_RCV_READ_EGR	RFgen custom function
Packaging Material	/SAPAPO/MATPACK	Packing/Packaging Data
UoM	/SAPAPO/MARM	Units of Measure of product
Quantity	N/A	Quantity to receive

Customization Considerations

If you are planning on creating a new version of this application or modifying it for a customer, consider asking these questions to help prepare your list of customization requirements.

