

# SAP

## EXTENDED WAREHOUSE MANAGEMENT – CREATE HU WT

This application helps create a warehouse task (WT) to transfer a handling unit (HU) within a warehouse from one storage bin to another storage bin.

---

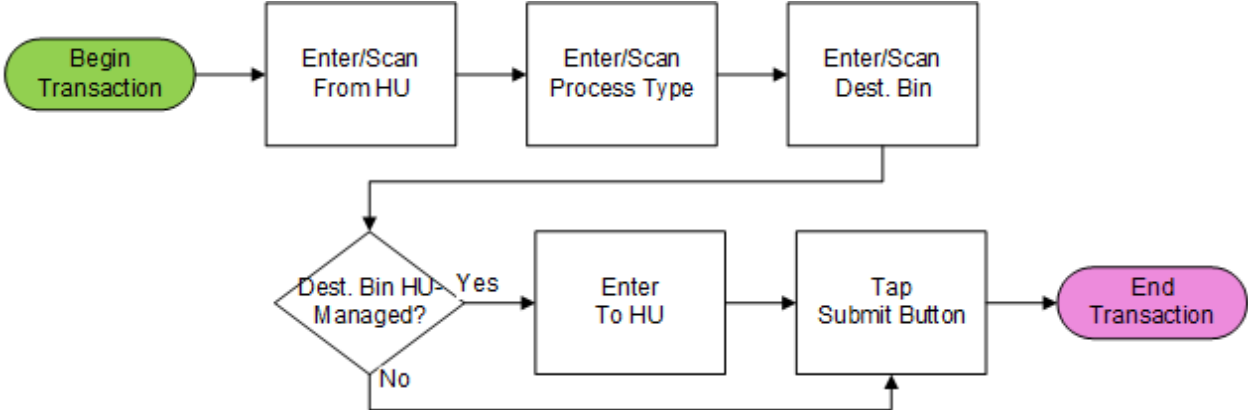
RFgen Functional Documentation

2021

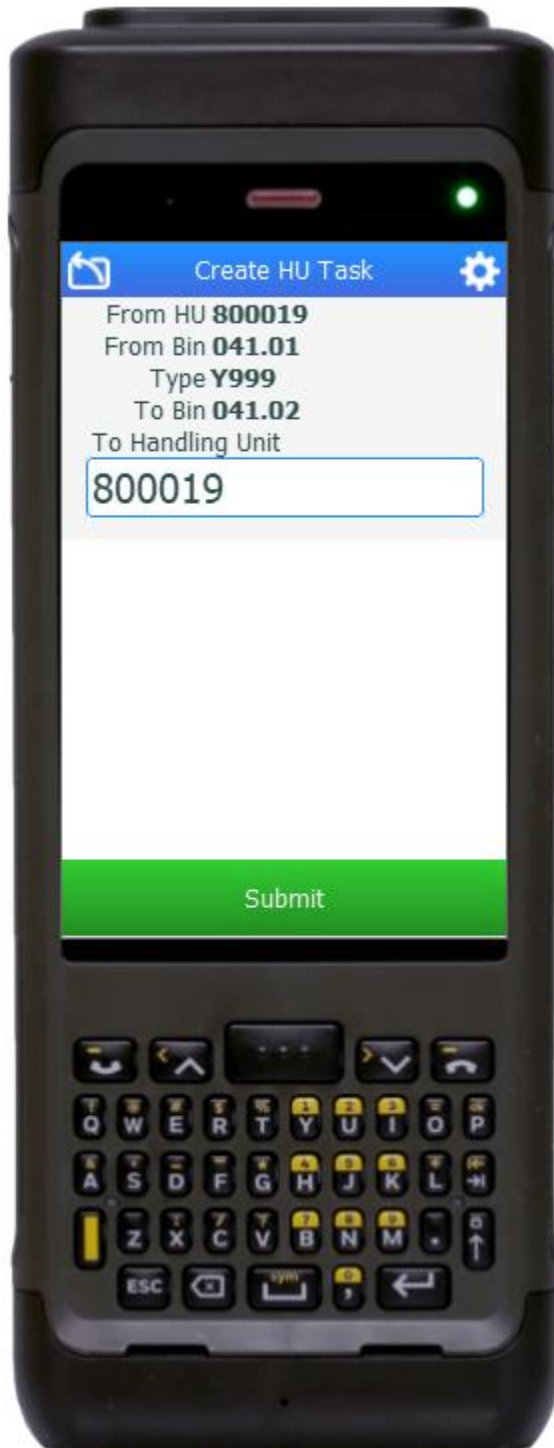
RFgen provides its customers SAP-validated, ready-to-use suites of “Open Source” applications and a development environment that can be used to create new apps or to modify existing apps.

This document describes the business workflow and technical information used in this application.

# SAP: Extended Warehouse Management (EWM) – Create HU WT



## FEWHU0200 – Create HU WT



This application is used to create a handling unit (HU) warehouse task (WT) for transferring a HU from one storage bin to another storage bin.

### Description of Workflow

First, the user scans or enters a From HU. The application will verify whether the HU exists in the user's default extended warehouse.

The user scans, or enters, or searches for a process type in the Type field.

The user scans, or enters, or searches for a destination bin in the To Bin field.

If the destination bin is HU-managed, the user scans or enters a To Handling Unit. The To HU can either be the same with the From HU, or be a different HU which must be in the destination bin.

The user taps the **Submit** button. The **Submit** button will post the HU transfer to SAP to create a warehouse task.

Whether to confirm the created warehouse task is determined by configuration of the process type. After the submission, the application resets back to the From HU field.

The arrow in the upper left corner will take the user back to the menu.



## Technical Information

This lists the tables used for validations, searches and defaults by prompt.

Prompt	Table	Description
From HU	ZRFGEN_EWM_HU_READ	RFgen custom function
Process Type	/SCWM/T333	Warehouse Process Type
Destination Bin	/SCWM/LAGP	Storage Bin
To HU	ZRFGEN_EWM_HU_READ	RFgen custom function

## Customization Considerations

If you are planning on creating a new version of this application or modifying it for a customer, consider asking these questions to help prepare your list of customization requirements.

1. Do you need to create and confirm the handling unit warehouse task?

