

SAP

WAREHOUSE – BIN BY MATERIAL

This application is an inquiry based on a material that shows bin-level information.

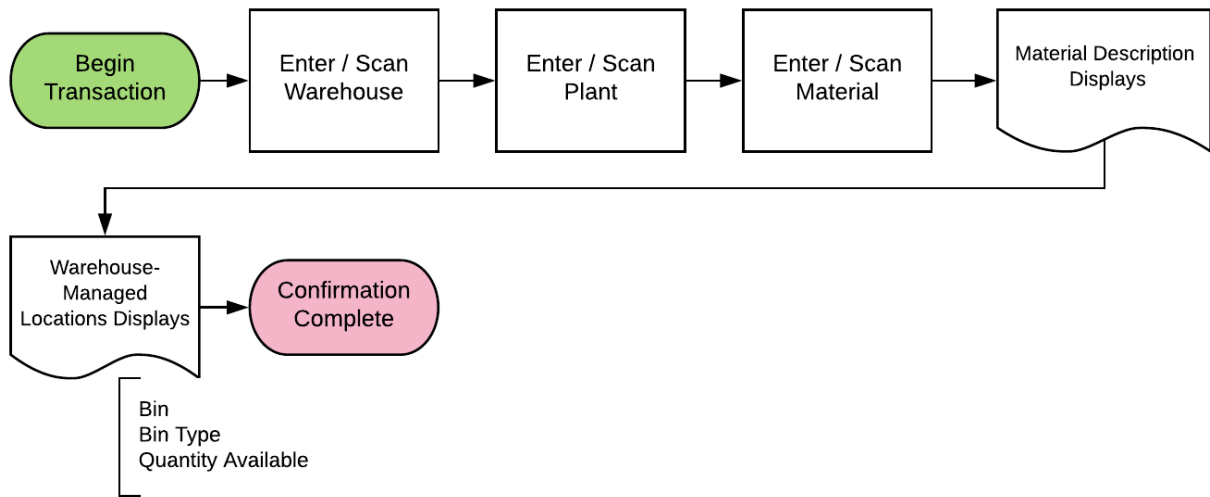
RFgen Functional Documentation

2019

RFgen provides its customers SAP-validated, ready-to-use suites of “Open Source” applications and a development environment that can be used to create new apps or to modify existing apps.

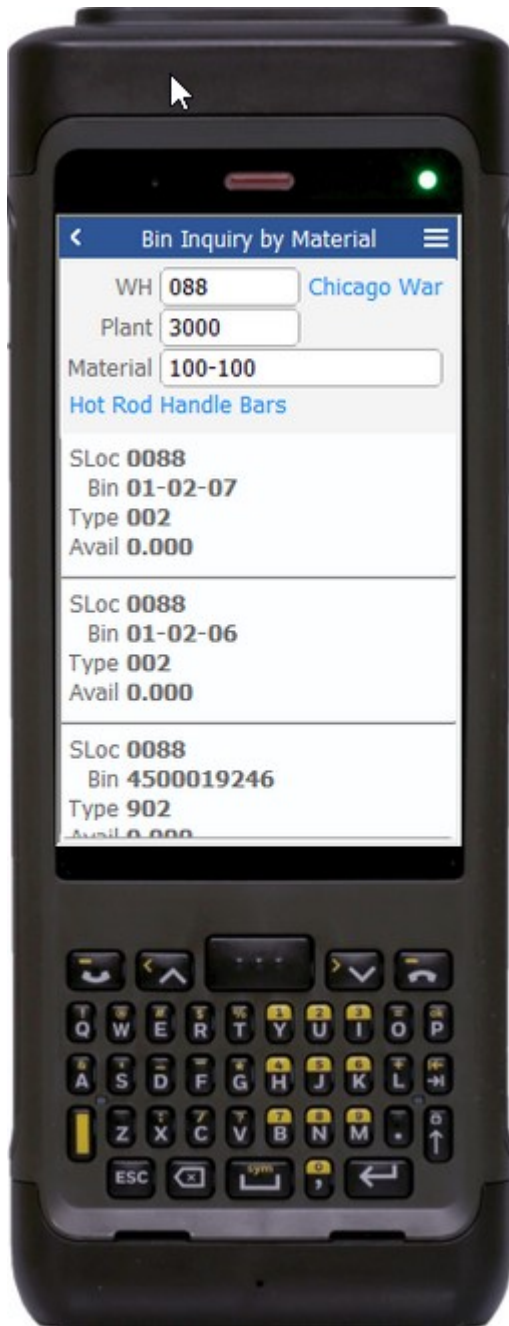
This document describes the business workflow and technical information used in this application.

SAP: WH – Bin Inquiry by Material



FWHQB0200 – Bin Inquiry by Material

This application is an inquiry based on a material that shows bin-level information.



Description of Workflow

First the user will scan, enter, or search for a warehouse value.

The user scans, enters, or searches for a plant value.

The user scans, enters, or searches for a material.

The material's description is displayed.
A list of warehouse-managed locations with bin, bin type, and available quantity is displayed.

The arrow in the upper left corner will take the user back to the menu.

Technical Information

This lists the tables used for validations, searches and defaults by prompt.

Prompt	Table
WH	T300T
Plant	T001W
Material	BAPI_MATERIAL_GET_DETAIL / BAPI_MATERIAL_GETLIST
App Update	L_TO_CONFIRM

